



Professional Graphic Equalizer



**SEQ-231XL, Product Features :**

**INPUT**  
 Connectors : 1/4" TRS, female XLR (pin 2 hot)  
 Type : Electronically balanced/ unbalanced, RF filtered  
 Impedance : Balanced 40k ohm, unbalanced 20k ohm  
 Max Input Level : >+21dBu balanced or unbalanced  
 CMRR : >40dB typically >55dB at 1kHz

**OUTPUTS**  
 Connectors : 1/4" TRS, male XLR (pin 2 hot)  
 Type : Impedance-balanced/unbalanced, RF filtered  
 Impedance : Balanced 100 ohm, unbalanced 50 ohm  
 Max Output Level : >+21dBu balanced/unbalanced into 2k ohm or greater  
 >+18dBu balanced/unbalanced (into 600 ohm)

**SYSTEM PERFORMANCE**  
 Bandwidth : 20Hz to 20kHz, -0.5/-1dB  
 Frequency Response : <10Hz to >50kHz, +0.5/ -3dB  
 Dynamic Range : 108dB  
 Signal to Noise : 90dB  
 THD + Noise : <0.004%  
 Interchannel Crosstalk : <-80dB, 20Hz to 20kHz

**FUNCTION SWITCHES**  
 EQ Bypass : Bypasses the graphic equalizer section in the signal path  
 Low Cut : Activates the 50Hz 12dB/octave high-pass filter  
 Range : Selects either +/-6dB or +/-12dB slider boost/ cut range

**POWER SUPPLY**  
 Operating Voltage : 100VAC 50/60Hz, 120VAC 60Hz, 230VAC 50/60 Hz  
 Power Consumption : 15w  
 Main Connection : IEC receptacle  
**DIMENSIONS (HxWxD) mm** : 85 x 482x200  
 Weight Kg : 4.2

**1231XL Product Features :**

**INPUT**  
 Connectors : 1/4" TRS, female XLR (pin 2 hot)  
 Type : Electronically balanced/ unbalanced, RF filtered  
 Impedance : Balanced 40k ohm, unbalanced 20k ohm  
 Max Input Level : >+21dBu balanced or unbalanced  
 CMRR : >40dB typically >55dB at 1kHz

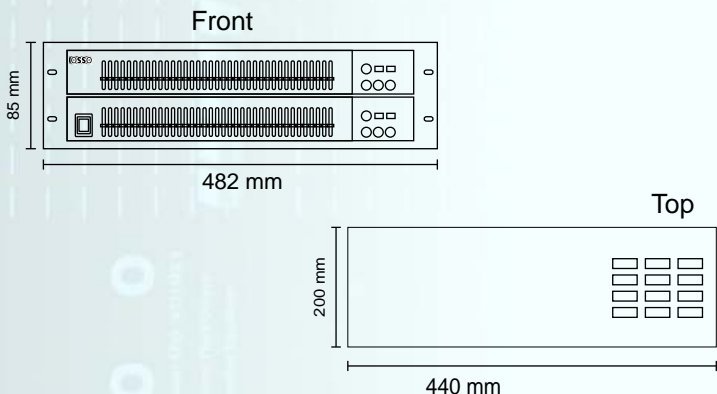
**OUTPUTS**  
 Connectors : 1/4" TRS, male XLR (pin 2 hot)  
 Type : Impedance-balanced/unbalanced, RF filtered  
 Impedance : Balanced 100 ohm, unbalanced 50 ohm  
 Max Output Level : >+21dBu balanced/unbalanced into 2k ohm or greater  
 >+18dBu balanced/unbalanced (into 600 ohm)

**SYSTEM PERFORMANCE**  
 Bandwidth : 20Hz to 20kHz, -0.5/-1dB  
 Frequency Response : <10Hz to >50kHz, +0.5/ -3dB  
 Dynamic Range : 108dB  
 Signal to Noise : 90dB  
 THD + Noise : <0.004%  
 Interchannel Crosstalk : <-80dB, 20Hz to 20kHz

**FUNCTION SWITCHES**  
 EQ Bypass : By passes the graphic equalizer section in the signal path  
 Low Cut : Activates the 50Hz 12dB/octave high-pass filter  
 Range : Selects either +/-6dB or +/-12dB slider boost/ cut range  
 EQ Bypass signal path : By passes the graphic equalizer section in the signal path  
 Low Cut : Activates the 50Hz 12dB/octave high-pass filter  
 Range : Selects either +/-6dB or +/-15dB slider boost/ cut range

**POWER SUPPLY**  
 Operating Voltage : 100VAC 50/60Hz, 120VAC 60Hz, 230VAC 50/60 Hz  
 Power Consumption : 15w  
 Main Connection : IEC receptacle  
**DIMENSIONS (HxWxD) mm** : 132x482x200  
 Weight Kg : 6

Dimension SEQ - 231 XL



SEQ - 1231 XL

