



Professional Graphic Equalizer



SEQ - 3231 F



SEQ - 6231 MK II

**SEQ-3231F Product Features :**

**INPUT**

- Connectors : 1/4" TRS, female XLR (pin 2 hot)
- Type : Electronically balanced/ unbalanced, RF filtered
- Impedance : Balanced 40k ohm, unbalanced 20k ohm
- Max Input Level : >+21dBu balanced or unbalanced
- CMRR : >40dB typically >55dB at 1kHz

**OUTPUTS**

- Connectors : 1/4" TRS, male XLR (pin 2 hot)
- Type : Impedance-balanced/unbalanced, RF filtered
- Impedance : Balanced 100 ohm, unbalanced 50 ohm
- Max Output Level : >+21dBu balanced/unbalanced into 2k ohm or greater  
>+18dBu balanced/unbalanced (into 600 ohm)

**SYSTEM PERFORMANCE**

- Bandwidth : 20Hz to 20kHz, -0.5/-1dB
- Frequency Response : <10Hz to >50kHz, +0.5/ -3dB
- Dynamic Range : 108dB
- Signal to Noise : 90dB
- THD + Noise : <0.004%
- Interchannel Crosstalk : <-80dB, 20Hz to 20kHz

**FUNCTION SWITCHES**

- EQ Bypass : By passes the graphic equalizer section in the signal path
- High Cut : Variable
- Low Cut : Variable
- Filter : 18dB/oct

**POWER CONSUMPTION**

- Operating Voltage : 100VAC 50/60Hz, 120VAC 60Hz, 230VAC 50/60 Hz
- Power Consumption : 15w
- Main Connection : IEC receptacle
- DIMENSION (HxWxD) mm : 132 x 482 x 200
- Weight Kg : 6

**SEQ-6231MK II Product Features :**

**INPUT**

- Connectors : 1/4" Phone Jack, XLR & Barrier Strip
- Type : Active Balanced
- Impedance : 20 K ohm
- Max Input Level : +23dBu

**OUTPUTS**

- Connectors : 1/4" TRS, male XLR (pin 2 hot)
- Type : Servo - Balanced
- Source Impedance : 200 ohm
- Min. Load Impedance : 600 ohm
- Max Output Level : >+23dBu

**Overall**

- Frequency Response : ±23dB
- Total Harmonic Distortion : <.01% @ +20dBu
- IM Distortion (SMPTE) : <.01% @ +20dBu
- Output Hum & Noise (unweighted) : <-92dBu
- Channel Separation : >95dB @ 1kHz
- Gain Control : - to +6dB  
(EQ in, all faders flat, 20Hz-20kHz unless otherwise noted)

**Filters**

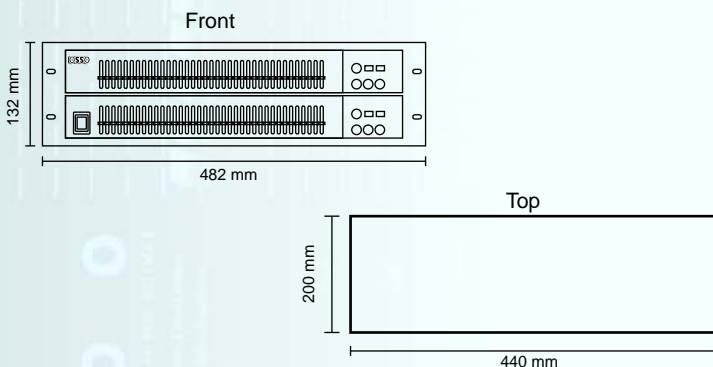
- Type : ∞
- Type : Constant Q / Wein Bridge
- Bandwidth : 1/3 octave
- Tolerance : ±3%
- Range : ±6 or ±15dB
- Subsonic Filter : 12dB / oct. 14 - 280Hz

**Power Requirement**

- Nominal Voltage : 240 VAC, 50-60Hz
- Minimal Voltage : 120 VAC
- Power : 24W
- Weight : 15 lbs

Constant "Q" design with low ripple and accurate response near the "Flat" setting. Precision Wein-bridge Filters for accurate Response and low distortion. Switchable high pass filter. High Quality Detented metal-Shaft fader. Frequency Sliders Feature Center Detent "Off". Worldwide XLR, 1/4", and Euroblock Outputs.

Dimension SEQ - 3231 F



Dimension SEQ - 6231 MK II

