



## Professional Subwoofer System

OS 218 H



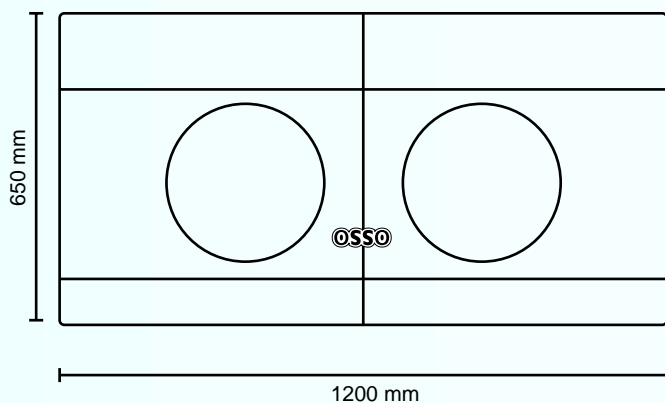
### SPECIFICATIONS

OS 218 H

Type of enclosure	: Bass Reflex Turbo Design
Components	: 2 x 18" Low Frequency Subwoofer
Power Handling	: RMS 1200W - peak 2400W
Frequency Response	: 20 Hz-200Hz
Nominal Impedance	: 84 ohm
Sensitivity	: 1W@1m : 100dB peak spl : 136dB
Dispersion	: Horizontal 90degrees Vertical 60degrees
Input Connection	: 2 x NL 4 MP - 4 pole speakon passive loop thru
Transport	: Four Transport Handles

Dimension

OS 218 H



Side

